

High Pressure Gas Filled Lamps

高圧ガス入りランプ

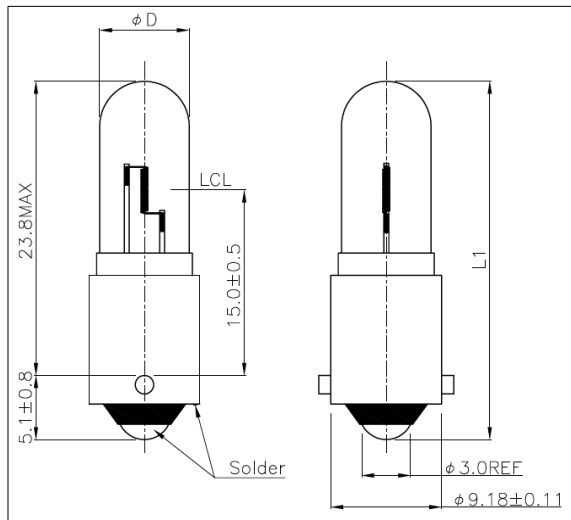


PN	Volt. (V)	Amp. (A)	Wat. (W)	MSCP (cd)	Color Temp. (K)	Average Life (hrs)	Base Type	Status	Remark
OL-998502-18	6	1.670	10	11.8	2900	6,000	A	Available	
OL-767	6	2.000	12	19.0	3100	50	A	Available	
OL-998502-4	12	0.833	10	8.6	2800	10,000	A	Available	
OL-998502-8	12	0.833	10	10.7	2800	10,000	A	Available	
OL-998502-6	28	0.429	12	8.5	2700	6,200	A	Preliminary	
OL-9204	28	0.357	10	6.6	2650	10,000	B	Available	OL-998502-10
OL-998502-12	28	0.357	10	6.6	2650	10,000	A	Available	
OL-998502-13	28	0.357	10	8.0	2650	10,000	A	Available	
OL-998502-15	28	0.429	12	10.4	2700	6,200	A	Available	
OL-998502-20	28	0.357	10	8.0	2650	10,000	C	Preliminary	
OL-998502-21	28	0.429	12	10.4	2700	6,500	C	Preliminary	

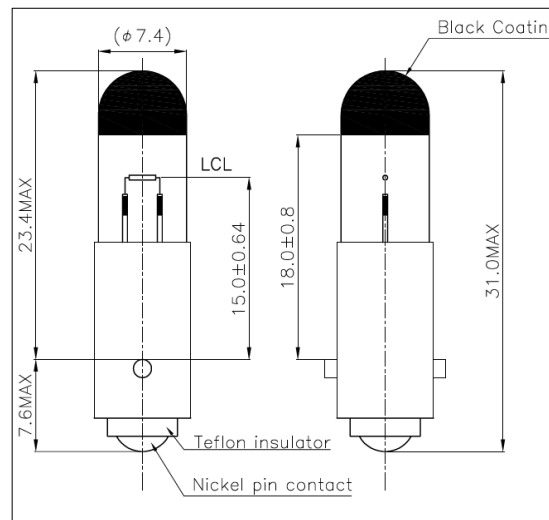
*The product specification and dimension are subject to change without notice.

Please reconfirm the specification before starting your new design.

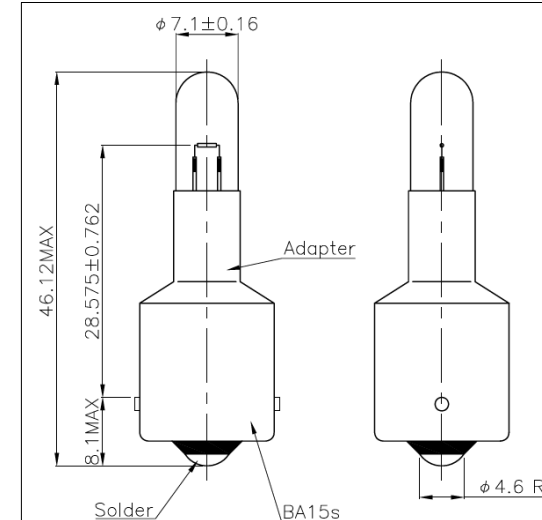
Base Type A



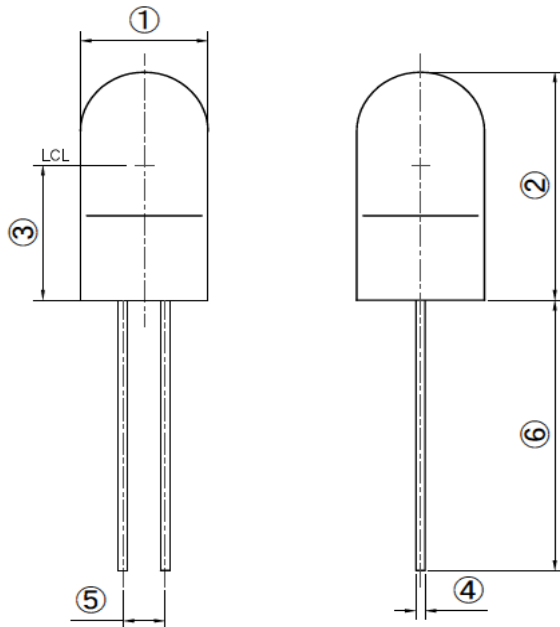
Base Type B



Base Type C



PN	Size	Filament	Bulb Dia. (mm)	Volt. (V)	Amp. (A)	Wat. (W)	MSCP (cd)	Color Temp. (K)	Average Life (hrs)	Dimension (See the drawing below.) (mm)						Status
										①	②	③	④	⑤	⑥	
OL-0482	T-1	C-2R	3.0	2.3	0.30	0.7	0.41	2900	20	3.17MAX	6.86MAX	4.7 ± 0.3	0.50	1.27	25.5 ± 0.5	Available
OL-0141	T-1	C-2R	3.0	2.4	0.40	1.0	0.77	3025	8	3.17MAX	6.85MAX	4.82 ± 0.25	0.50	1.27	(13.21)	Preliminary
OL-0232	T-1	C-2R	3.0	2.4	0.42	1.0	0.77	3100	12	3.17MAX	6.85MAX	4.67 ± 0.25	0.50	1.27	(7.1)	Preliminary
OL-3652	T-1	C-2R	3.0	2.9	0.60	1.7	1.04	2950	25	3.17MAX	6.50MAX	4.5 ± 0.5	0.25	1.27	16.0MIN	Available
OL-0262	T-1	C-2R	3.0	3.5	0.72	2.5	0.41	2950	50	3.17MAX	7.11MAX	5.0 ± 0.25	0.50	1.27	17.78 ± 0.25	Preliminary
OL-0164	T-1 1/4	C-2R	4.1	2.4	0.39	0.9	0.67	2950	20	4.2MAX	7.75MAX	4.95 ± 0.25	0.45	1.27	17.78 ± 0.25	Preliminary
OL-0247	T-1 1/4	C-2R	4.1	3.5	0.72	2.5	2.25	2950	50	4.2MAX	7.8MAX	5 ± 0.127	0.38	1.27	17.78 ± 0.25	Available
OL-0533	T-1 1/2	SC-2R	4.7	12.0	0.50	6.0	7.65	3000	70	4.5MAX	10.16MAX	6.68 ± 0.25	0.50	2.0	3.8 ± 0.25	Available
OL-0135	T-1 1/2	C-6	4.7	2.6	0.69	1.8	1.58	3075	8	4.8MAX	10.54MAX	7.24 ± 0.25	0.50	2.0	(7.0)	Preliminary
OL-0259	T-1 1/2	C-6	4.7	4.8	1.10	5.3	8.28	3275	25	5.0MAX	12.70MAX	7.24 ± 0.25	0.50	2.0	14.35 ± 0.25	Preliminary
OL-6694	T-1 1/2	C-6	4.7	5.0	1.00	5.0	4.00	2800	3000	4.8MAX	12.50MAX	9.0 ± 0.3	0.50	2.0	10.0 ± 0.5	Available
OL-0162	T-1 3/4	C-6	5.3	4.8	1.16	5.6	7.92	3100	20	5.6MAX	11.3MAX	6.35 ± 0.25	0.50	2.54	14.35 ± 0.25	Preliminary
OL-0538	T-2 1/2	C-2R	7.0	12.0	0.25	3.0	1.86	3000	5000	7.3MAX	13.5MAX	8.0 ± 0.3	0.50	2.3	16.0 ± 0.5	Preliminary
OL-0539	T-2 1/2	C-2R	7.0	13.5	0.23	3.1	2.36	3000	2000	7.3MAX	13.5MAX	8.0 ± 0.3	0.50	2.3	16.0 ± 0.5	Available
OL-0150	T-2 1/2	C-6	7.0	9.8	1.10	10.8	16.20	3100	50	7.3MAX	17.1MAX	11.3 ± 0.25	0.69	4.0	8.26 ± 0.5	Preliminary
OL-0161	T-2 1/2	C-6	7.0	3.7	0.79	2.9	3.78	3125	12	7.3MAX	17.1MAX	9.35 ± 0.25	0.50	2.3	(15.87)	Preliminary
OL-0153	T-2 1/2	C-6	7.0	4.8	1.10	5.3	7.29	3125	25	7.3MAX	17.1MAX	11.3 ± 0.25	0.69	4.0	8.26 ± 0.5	Preliminary
OL-0163	T-2 1/2	C-6	7.0	7.2	1.10	7.9	13.50	3200	20	7.3MAX	17.1MAX	9.53 ± 0.25	0.50	2.3	(11.3)	Preliminary



*All of the lamps above are Wire-Terminal (=No base/Lamp only).

*The product specification and dimension are subject to change without notice.

Please reconfirm the specification before starting your new design.